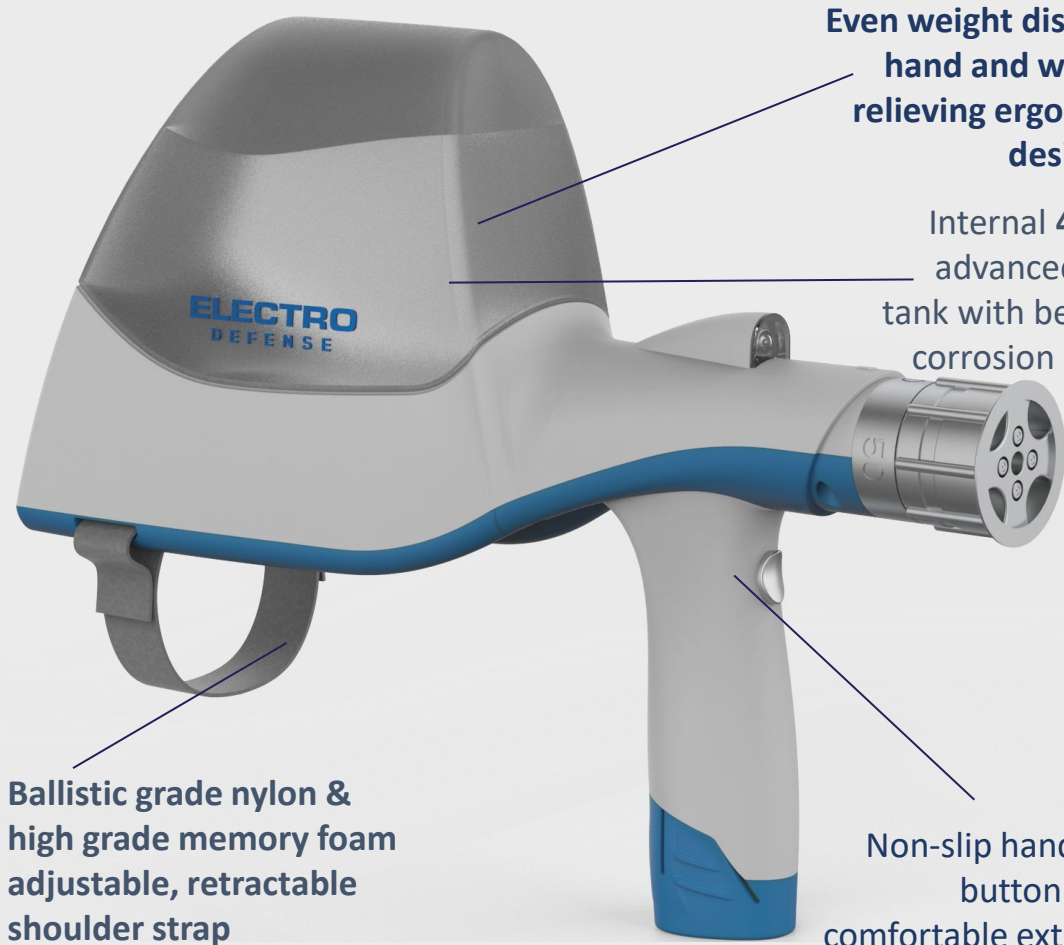


The **ED4660 Hand-Held** features electrostatic cleaning technology combined with ElectroDefense's patented, first to market **SmartSprayer™** and **SprayTrack™ mobile job accountability technology**, puts control into your hands for the most efficient fluid dispersal possible.

The **ED4660's** robust, yet sleek ergonomic design offers unparalleled comfort, lending itself to more effective deployment throughout all tasks.

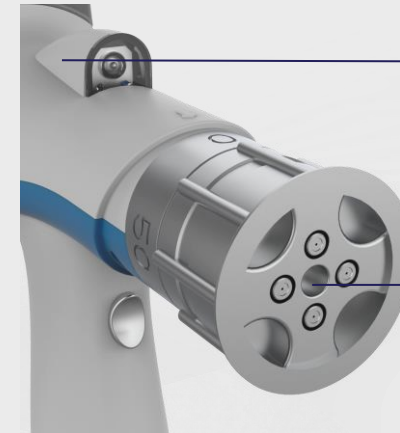


**Even weight distribution,  
hand and wrist stress  
relieving ergonomically  
designed gun**

**Internal 45 fluid oz  
advanced polymer  
tank with best in class  
corrosion resistance**

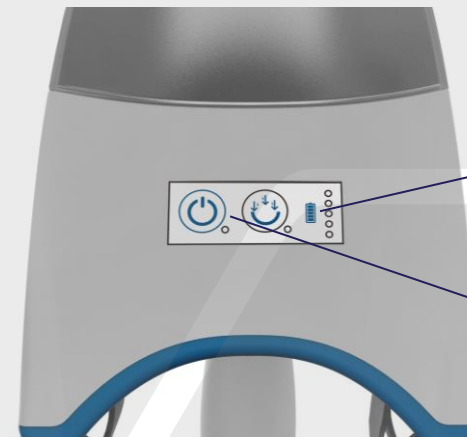
**Ballistic grade nylon &  
high grade memory foam  
adjustable, retractable  
shoulder strap**

**Non-slip hand grip with  
button switch for  
comfortable extended use**



**Built in 130 lumen micro SMD  
LED focus light to ensure  
complete coverage  
in any environment.**

**Convenient anodized  
aluminium no tool 4-in-1  
twist micron size adjustor  
with fluid return & system  
clean nozzle**



**Bright, back lit  
system diagnostic  
LCD color display**

**One click electrostatic  
or regular spray  
activator**

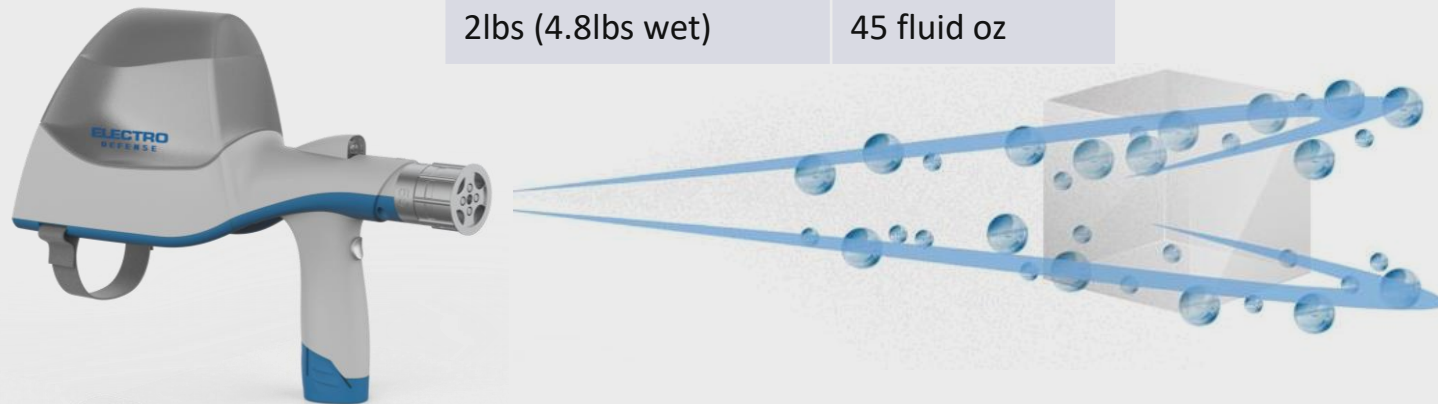
SYSTEM

EACH ED4660 INCLUDES
1 x ED4660™ Electrostatic Hand-held SmartSprayer™
1 x 45 fluid oz tank
2 x 6,000mAh 10.8 - 12V lithium-ion battery + 1 x Battery charger
1 x Memory foam adjustable shoulder strap

CERTIFICATIONS



THE ELECTROSTATIC EFFECT



SPECIFICATIONS

Nozzle Setting	50 microns	80 microns	110 microns
Flow Rate	4 oz/min	6.75 oz/min	9.5 oz/min
Run time/tank	10 minutes	6 minutes	4.2 minutes
Tanks/charge	24 tanks	40 tanks	55 tanks
Coverage/tank	3,330 sq ft	2,665 sq ft	1,865 sq ft

<b>Warranty</b>	<b>Power</b>
2 year extended	6,000 mAh
<b>Weight</b>	<b>Tank Capacity</b>
2lbs (4.8lbs wet)	45 fluid oz

Key App Functions			
System Diagnostics	Fluid Use	Inventory Mgmt	Warranty Mgmt
Real Time Job Tracking	Total Hours	Job Comparison	In App Training

EXAMPLE INDUSTRY APPLICATIONS

